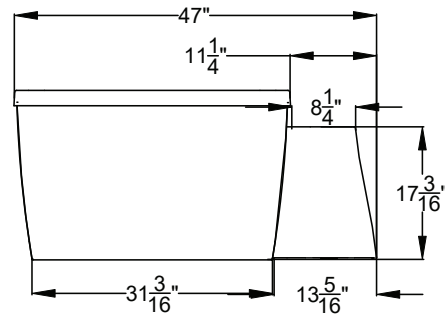
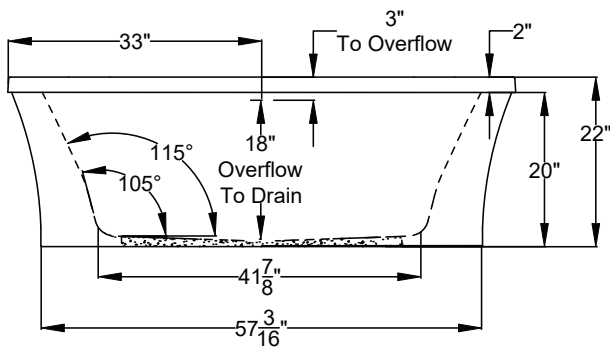
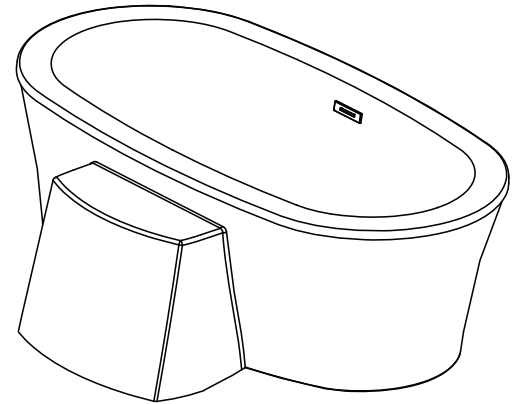
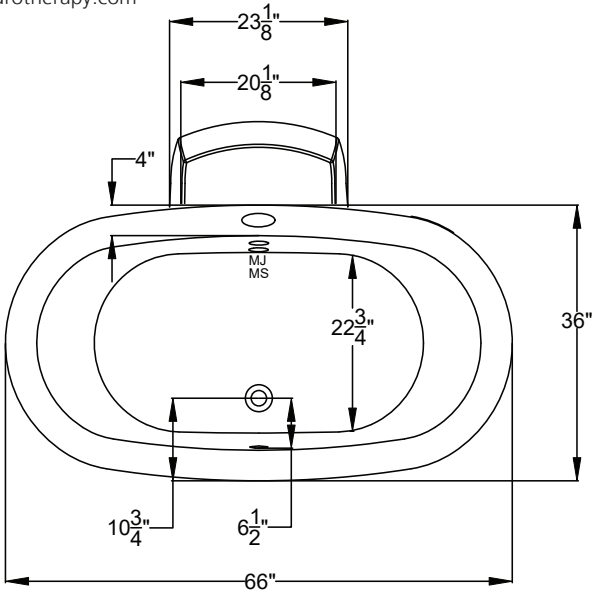


8328 MacArthur Dr. • North Little Rock, AR 72118
501.771.4477 • Fax: 501.771.2333
Customer Service: 800.255.5766
E-Mail: tech@jasonhydrotherapy.com
www.jasonhydrotherapy.com

Designer Collection Specifications

AC553P

MicroSilk[®]



Note: Acrylic Equipment Cabinet is required on MicroSilk[®] baths.

Patents received or pending.



Includes Linear Overflow Drain Assembly

Note: Dimensional Tolerances: ±1/4"

- Drop-in Hole Size:** N/A
- Operating Capacity:** 39 Gal.
- Overflow Capacity:** 77 Gal.
- Floor Loading / sq.ft.:** 56 lbs.
- Carton Wt.:** 197 lbs.
- Cube:** 36.6 ft.³

Construction: Fiberglass reinforced acrylic bath with Level Form[™] full-support base.

We provide products listed with Intertek ETL SEMKO (Edison Testing Laboratories) U.S. and Canadian and with International Association of Plumbing and Mechanical Officials (IAPMO). Consult factory with your listing requirements.

Standard	 <p>A 120V system that includes a MicroSilk[®] unit, an electronic control, and a 20-minute timer.</p>
Premier	 <p>A 120V system that includes a MicroSilk[®] unit; (2) Chromatherapy mood lights; Automatic Ozone System; a digital control with LCD display, enhanced user control options, and a 20-minute timer. Control keypad controls the MicroSilk[®] unit, LED Chromatherapy mood lights, and shows equipment status, and time remaining.</p>