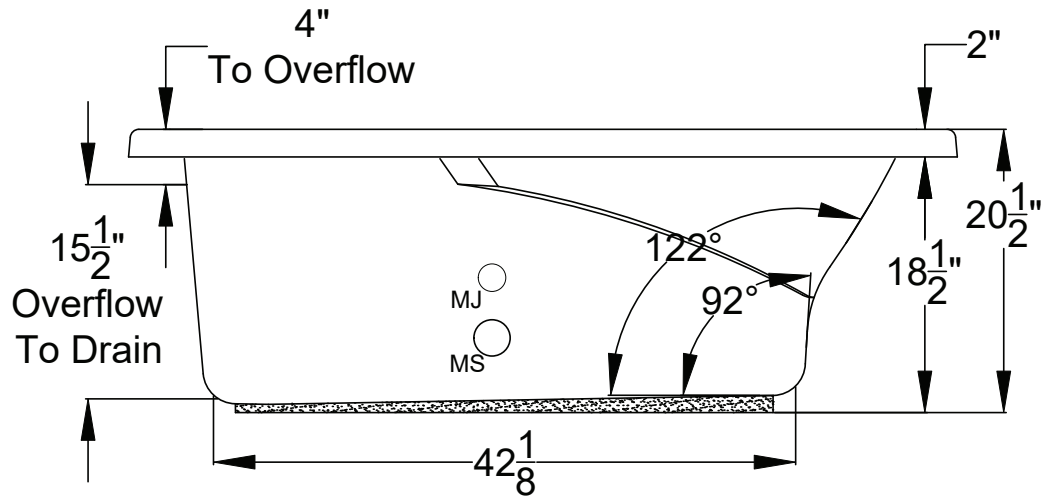
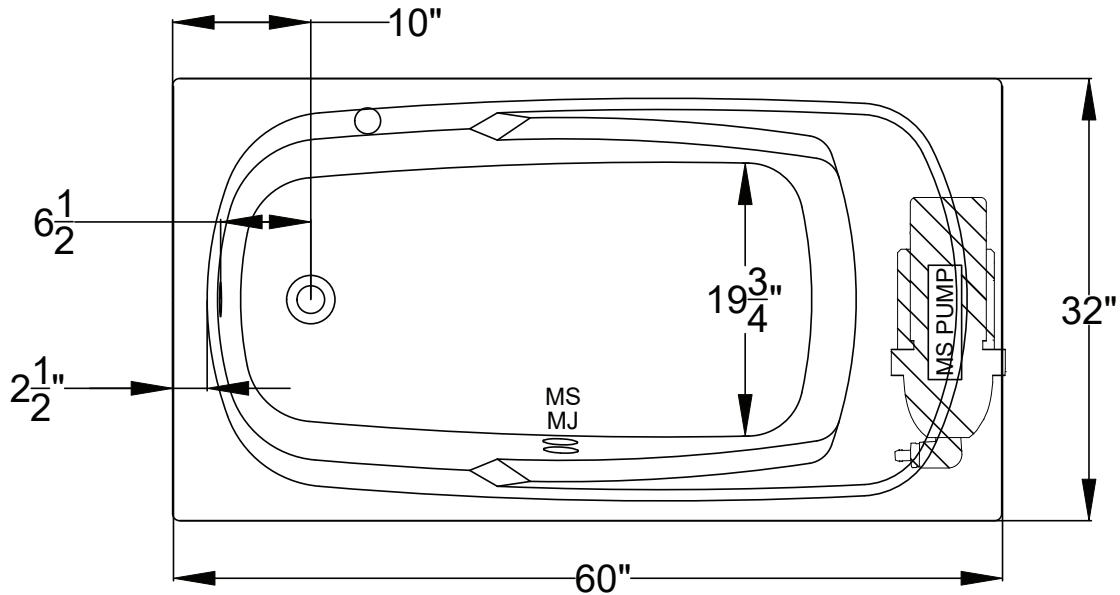


8328 MacArthur Dr. • North Little Rock, AR 72118
501.771.4477 • Fax: 501.771.2333
Customer Service: 800.255.5766
EMail: tech@jasonhydrotherapy.com
www.jasonhydrotherapy.com

Integrity[®] Collection Specifications

D3260

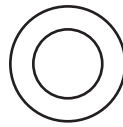
MicroSilk[®]



Patents received or pending.

Note: Dimensional Tolerances: ±1/4"

- Drop-in Hole Size:** 30" x 58"
- Operating Capacity:** 36 Gal.
- Overflow Capacity:** 58 Gal.
- Floor Loading / sq.ft.:** 52.2 lbs.
- Carton Wt.:** 107 lbs.
- Cube:** 28.1 ft.³

Air Switch Control		Includes a quiet, 120V MicroSilk [®] System, 1 MicroSilk [®] Delivery Port. Requires (1) 20A, 120v GFCI protected circuit.
--------------------	---	--

Construction: Reinforced Acrylic shell mounted on Level Form™ pre-leveled full support base.

We provide products listed with Intertek ETL SEMKO (Edison Testing Laboratories) U.S. and Canadian and with International Association of Plumbing and Mechanical Officials (IAPMO). Consult factory with your listing requirements.