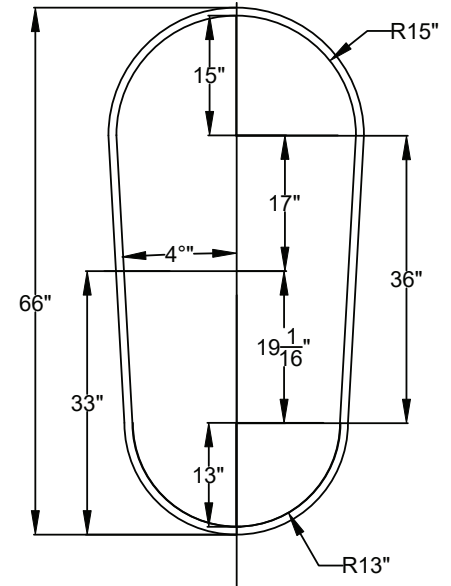
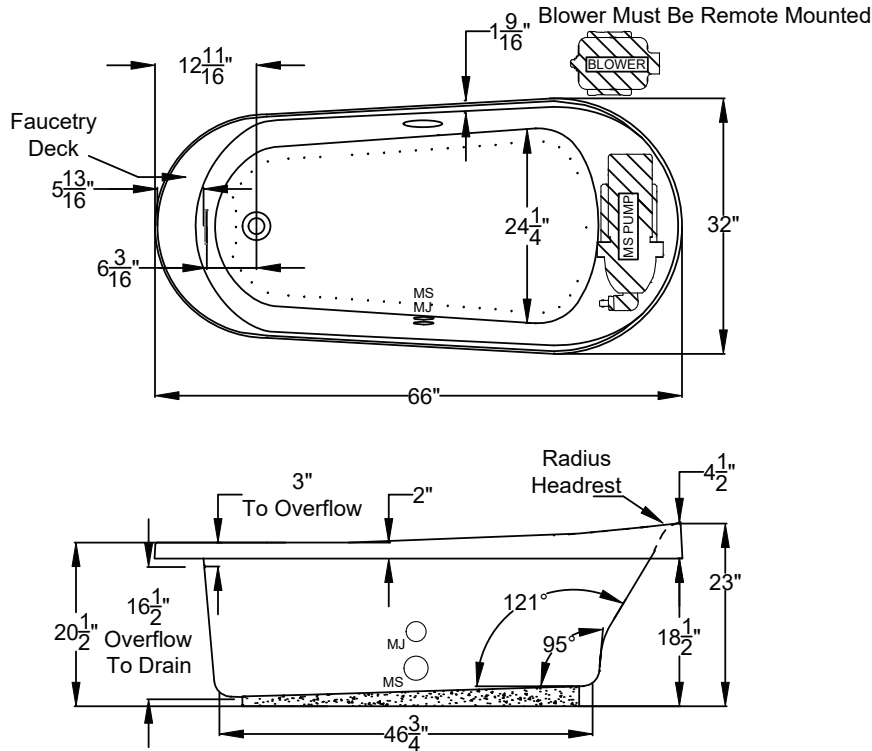


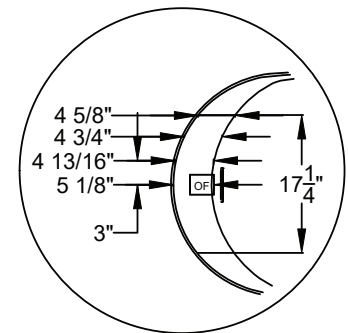
Designer Collection Specifications

HE5527

MicroSilk[®] - AirMasseur[®]



DROP IN HOLE SIZE



Faucetry Deck
Flat Dimensions



Note: Equipment may extend beyond the outside perimeter of the bath.
Consult factory for details.

Patents received or pending.

Includes Linear Overflow Drain Assembly

Note: Dimensional Tolerances: ±1/4"

- Drop-in Hole Size:** See Diagram
- Operating Capacity:** 39 Gal.
- Overflow Capacity:** 81 Gal.
- Floor Loading / sq.ft.:** 57.8 lbs.
- Carton Wt.:** 142 lbs.
- Cube:** 36.5 ft.³

Standard	 <p>A 120V system that includes a MicroSilk[®] unit; a 1HP, variable speed air blower with integral air heater; automatic purge cycle; an electronic control that operated the MicroSilk[®] unit, blower, and blower speed for continuous, pulse or wave massage modes; and a 20-minute timer.</p>
Premier	 <p>A 120V system that includes a MicroSilk[®] unit; a 1HP, variable speed air blower with integral air heater; automatic purge cycle; (2) Chromatherapy mood lights; Automatic Ozone System; a digital control with LCD display that operates the MicroSilk[®] Unit, blower and blower speed for continuous, pulse or wave massage modes; enhanced user control options; and a 20-minute timer. Control keypad operates the MicroSilk[®] unit, blower and blower speed for continuous, pulse or wave massage modes, LED Chromatherapy lights and shows MicroSilk[®] status, blower speed, and time remaining.</p>

Construction: Fiberglass reinforced acrylic bath with Level Form[™] full-support base.

We provide products listed with Intertek ETL SEMKO (Edison Testing Laboratories) U.S. and Canadian and with International Association of Plumbing and Mechanical Officials (IAPMO). Consult factory with your listing requirements.