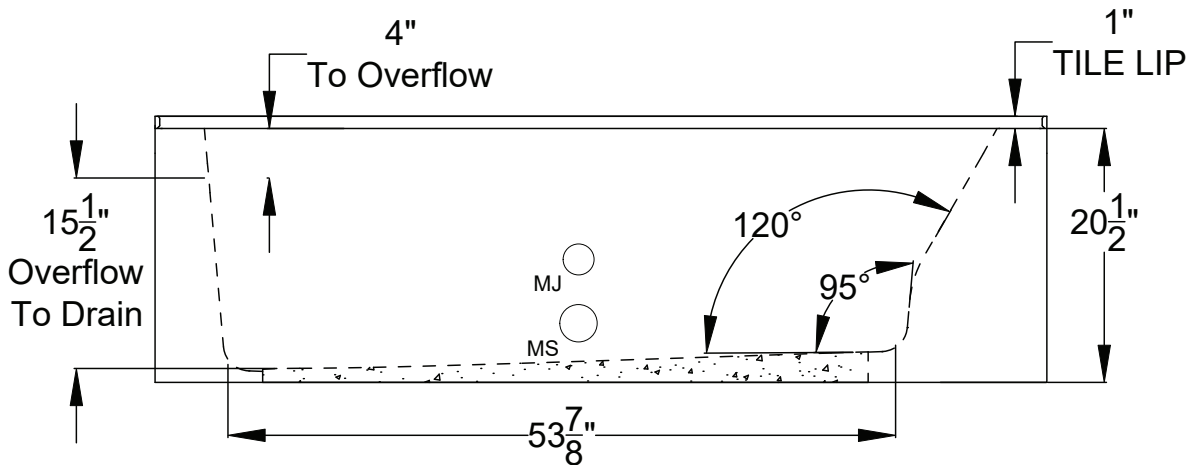
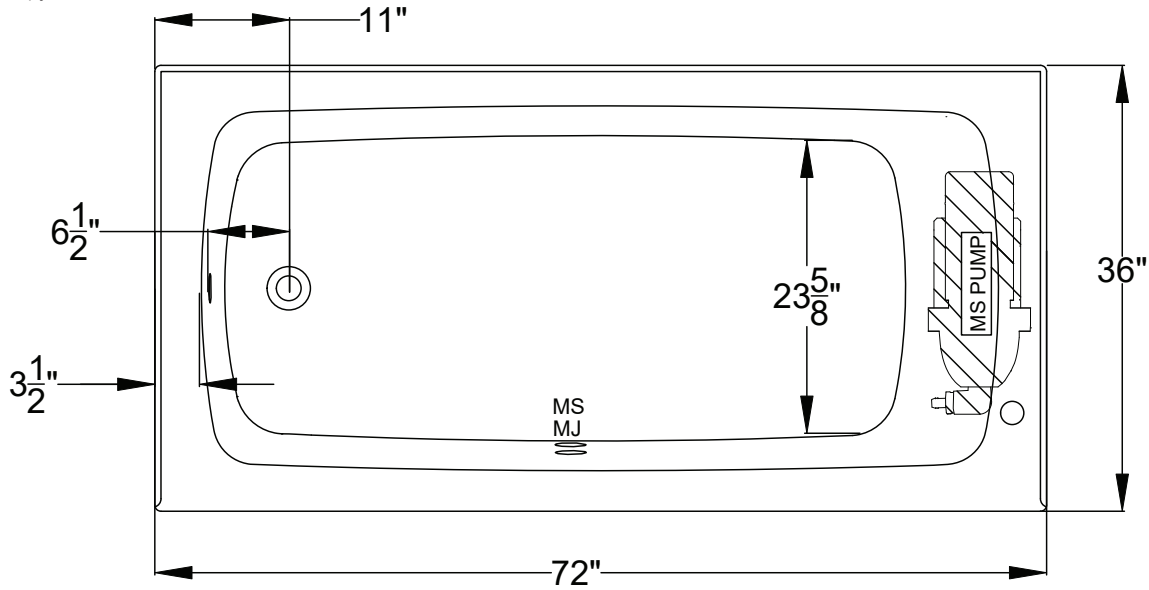


8328 MacArthur Dr. • North Little Rock, AR 72118  
501.771.4477 • Fax: 501.771.2333  
Customer Service: 800.255.5766  
EMail: tech@jasonhydrotherapy.com  
www.jasonhydrotherapy.com

## Integrity<sup>®</sup> Collection Specifications

### K3672-SL/SR

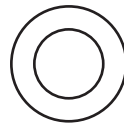
#### MicroSilk<sup>®</sup>



Patents received or pending.

Note: Dimensional Tolerances: ±1/4"

- Drop-in Hole Size: N/A
- Operating Capacity: 50 Gal.
- Overflow Capacity: 84 Gal.
- Floor Loading / sq.ft.: 49 lbs.
- Carton Wt.: 139 lbs.
- Cube: 37.3 ft.<sup>3</sup>

Air Switch Control		Includes a quiet, 120V MicroSilk <sup>®</sup> System, 1 MicroSilk <sup>®</sup> Delivery Port. Requires (1) 20A, 120V GFCI protected circuit.
--------------------	---	--

**Construction:** Reinforced Acrylic shell mounted on Level Form™ pre-leveled full support base.

**Note:** Control Air Switch will be located on bather's left.

We provide products listed with Intertek ETL SEMKO (Edison Testing Laboratories) U.S. and Canadian and with International Association of Plumbing and Mechanical Officials (IAPMO). Consult factory with your listing requirements.