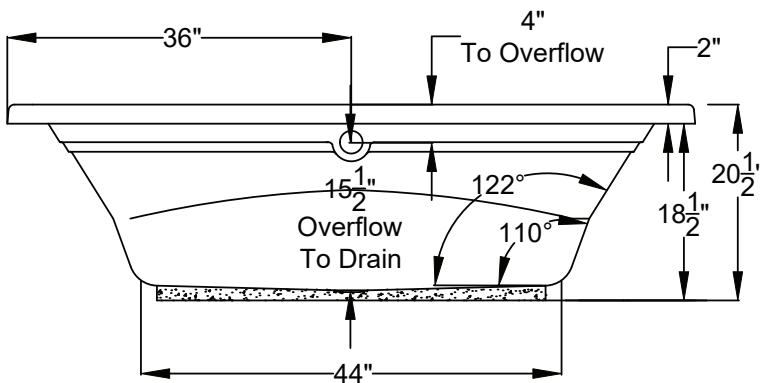
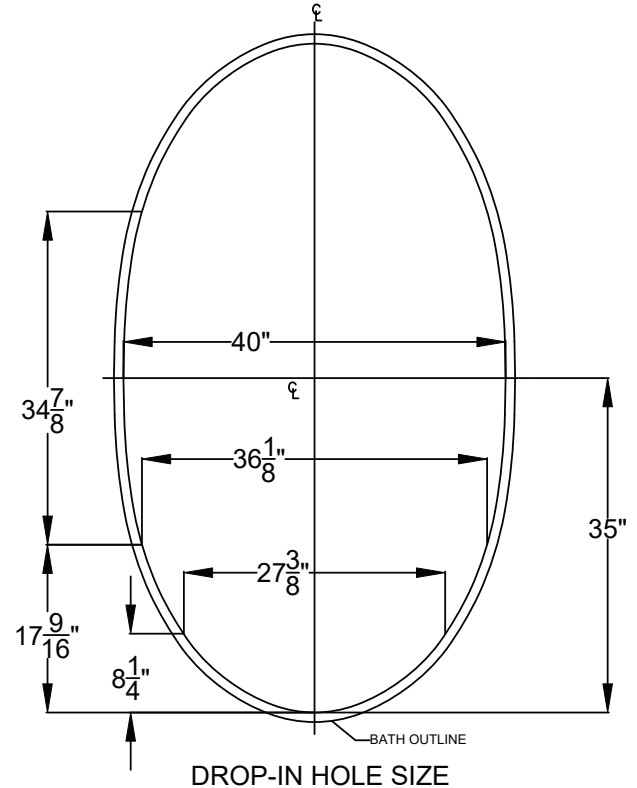
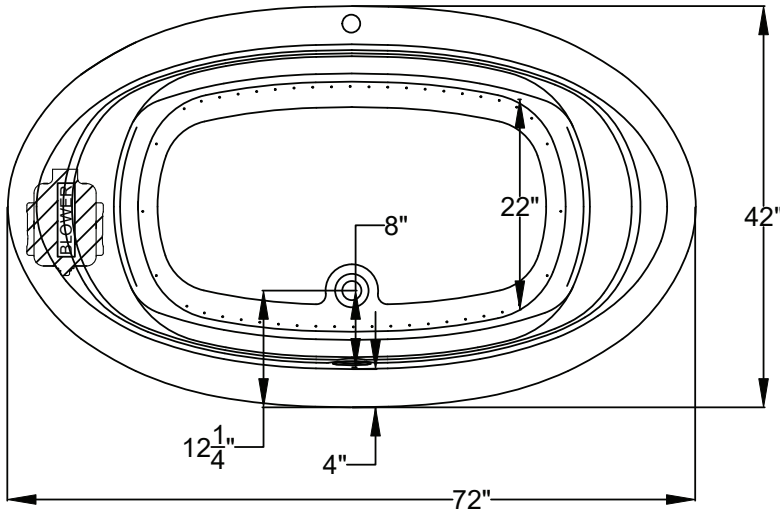


## Integrity<sup>®</sup> Collection Specifications

# V4272

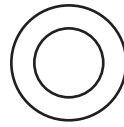
## AirMasseur<sup>®</sup>



Patents received or pending.

Note: Dimensional Tolerances: ±1/4"

- Drop-in Hole Size:** See Diagram
- Operating Capacity:** 46 Gal.
- Overflow Capacity:** 74 Gal.
- Floor Loading / sq.ft.:** 42.8 lbs.
- Carton Wt.:** 120 lbs.
- Cube:** 43.2 ft.<sup>3</sup>

<b>Air Switch Control</b>	 <p>Includes a quiet, 120v, 3/4 HP, variable speed air blower with an integral air heater, 20-minute timer and automatic purge cycle. Air switch operates the on/off and speed functions of the blower. Requires (1) 15A, 120v GFCI protected circuit.</p>
---------------------------	---

**Construction:** Reinforced Acrylic shell mounted on Level Form™ pre-leveled full support base.

*We provide products listed with Intertek ETL SEMKO (Edison Testing Laboratories) U.S. and Canadian and with International Association of Plumbing and Mechanical Officials (IAPMO). Consult factory with your listing requirements.*