

“TO BE REMOVED FOR USE BY THE OCCUPANT.”

Jason Hydrotherapy  
8328 MacArthur Drive North  
Little Rock, AR 72118  
www.jasonhydrotherapy.com  
MADE IN THE U.S.A.



JASON  
HYDROTHERAPY

49-2009-002  
Date 02/2020

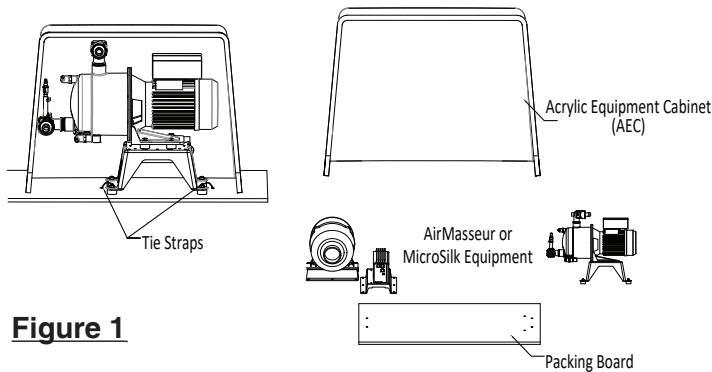
## OWNER'S MANUAL

# AEC-2xx Acrylic Equipment Cabinet

## INSTALLATION INSTRUCTIONS

The Jason Acrylic Equipment Cabinet (AEC) can be used to house the bath equipment that cannot be remote mounted away from the bath. The cabinet is standard on freestanding MicroSilk® baths and is available as an option for freestanding AirMasseur® baths. For MicroSilk® baths, the equipment will be shipped separate from the bath with the cabinet. To install the AEC, follow these procedures.

1. Remove the preassembled AEC assembly from the carton and detach all components from the packing board by removing the tie straps. See **Figure 1**



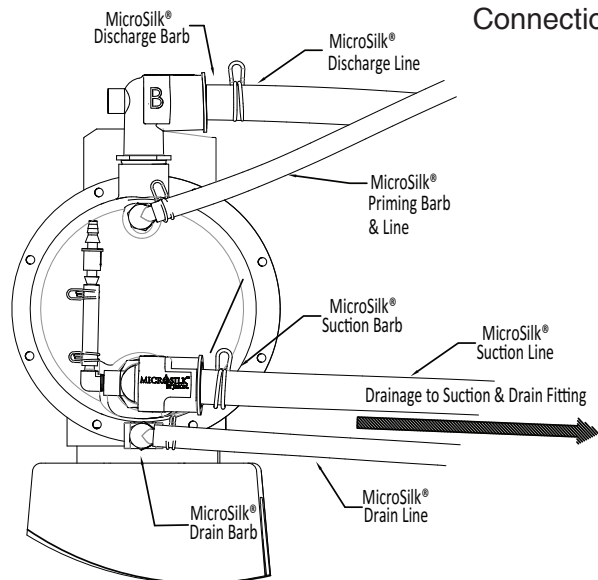
**Figure 1**

2. Place the equipment directly in front of the bath skirt opening and attach all the plumbing and electrical connections.

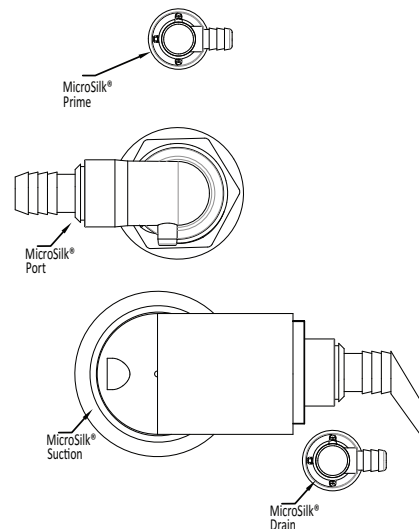
Note: The electrical service can be provided inside or outside the enclosure. Refer to the Electrical section of the bath installation manual for service requirements.

3. For MicroSilk® baths, clamp the plumbing lines to the appropriate barb using the clamps provided. Assure the line will allow proper drainage to the bath fitting. The hose must have a continuous drop from the barb to the fitting. See **Figures 3a & 3b**

**Figure 3a**  
MicroSilk® Pump Connections



**Figure 3b**  
MicroSilk® Bath Connections



# INSTALLATION INSTRUCTIONS

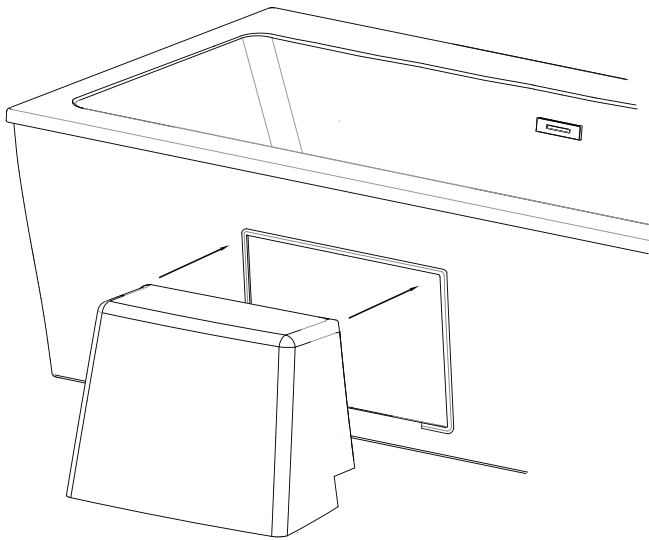
4. For AirMasseur® baths, slip the air line into the blower opening and tighten screws to secure it.

**DANGER - RISK OF EXPLOSION:** Do not use any flammable glues to secure the air line connection.

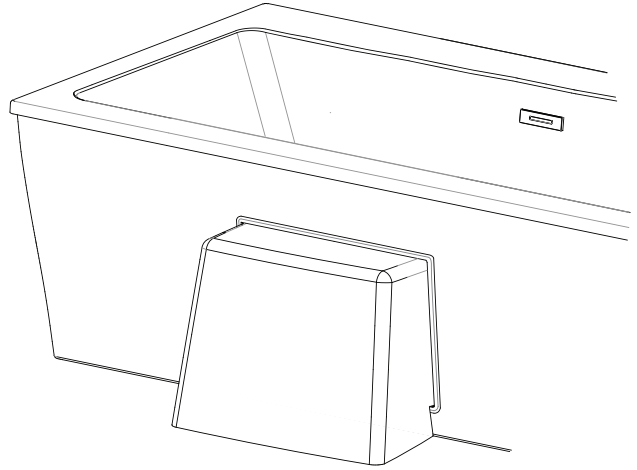
5. Fill the bath and test all connections for leaks.

6. Align the cabinet with the opening and slide the cabinet into the opening until it is flush against the bottom of the freestanding skirt. See **Figures 5a** and **5b**

**Figure 5a**



**Figure 5b**



7. The extrusion trim can be slightly moved to help fill any gaps between the cabinet and the bath skirt. See **Figure 6**

**Figure 6**

