

Jason Hydrotherapy
8328 MacArthur Drive North
Little Rock, AR 72118
www.jasonhydrotherapy.com
MADE IN THE U.S.A.



JASON
HYDROTHERAPY

49-2010-101
Date 11/14

Owner' S Manual

Tile Flange Kit TFK2 InSTalla TION InSTru CTIONs

INTRODUCTION

The Model TFK2 tile flange kit must be used when installing a bath in an alcove or corner application. **This kit is not required if your bath has an integral tile lip.**

INSTALLATION

Follow the installation instructions provided with your bath unit in addition to these instructions.

1. Remove the TFK2 from its packaging. Unroll the TFK2 and lay it flat on a dry surface with the adhesive tape facing up.
2. Clean the flange of the bath to ensure tape will bond properly.
3. Remove the adhesive tapes' protective layer.
4. Place one end of the TFK2 flush with the threshold flange and trimline of the bath. (See Fig. 1) While holding the TFK2 in place have your assistant pull the TFK2 tight along the flange perimeter of the bath while you apply pressure to assure the adhesive tape is bonded to the flange. Trim

off any excess once the TFK2 has been completely affixed to all three flanges of the bath. Caution: Once the tape has been bonded to the bath do not remove it to assure a proper seal.

5. Place the bath into position and screw (not provided) the TFK2 to the wall studs. Note: Walls stud centerlines should have a minimum distance of 16" [41cm]. (See Fig. 2)
6. Apply a bead of silicone between the TFK2 and the surface of the bath. Silicone must be bonded to both surfaces. (See Fig. 2) Caution: Do not apply water to the TFK2 for at least 24 hours to assure a proper seal.
7. Install sheet rock or wallboard over the TFK2. Then install tile or other wall finishing (See Fig. 2)
8. Apply silicone sealant as a caulking between the bottom of the tile/wall finishing and the surface of the bath. (See Fig. 2)

FIGURE 1

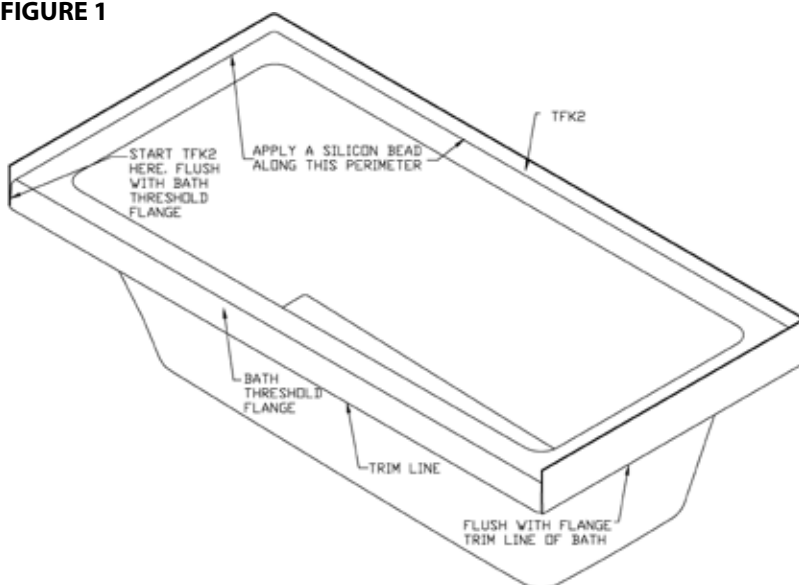


FIGURE 2

