

“TO BE REMOVED FOR USE BY THE OCCUPANT.”

Jason Hydrotherapy
8328 MacArthur Drive North
Little Rock, AR 72118
www.jasonhydrotherapy.com
MADE IN THE U.S.A.



JASON
HYDROTHERAPY®

49-2012-001
Date 11/14

OWNER'S MANUAL

SK and FSK Series Lateral Bath Skirt INSTALLATION INSTRUCTIONS

INTRODUCTION

A Series SK or FSK Lateral Bath Skirt Kit must be used when installing a whirlpool bath in an alcove installation that requires front access for servicing the whirlpool pump and control equipment.

Model Kit:	Dimensions (in) Dimensions (cm)			
	A	B	C	D
SK60	60	20.5	18.5	59.5
	152	52	47	151
SK66	66	20.5	18.5	65.5
	168	52	47	166
SK72	72	20.5	18.5	71.5
	183	52	47	182
FSK66	66	22	19	65.5
	168	59	48	166

INSPECTION

Inspect the kit for damage or shortages prior to installation. Damage sustained in transit is the responsibility of the carrier. If transit damage is discovered, notify the carrier immediately and file a freight claim with them.

TOOLS & MATERIALS REQUIRED

For safety and ease of installation, Jason recommends the following tools: Phillips head Screwdriver, drill, hammer, level or square and a circular saw if needed.

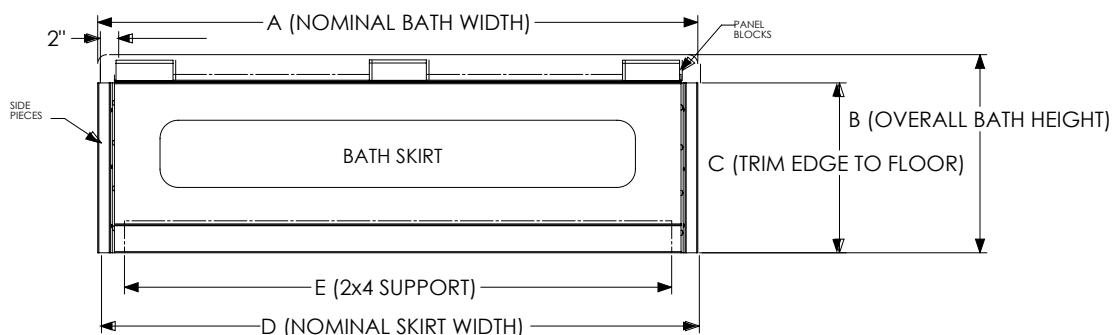
Required Adhesive: Liquid Nail #0600213 or equivalent adhesive. If a faster set time is desired, Rapid-Mix Epoxy Cement #CRM120 or equivalent. 2" x 4" [5 x 10 cm] Support Board (**See E** - Dimension should be determined by field installer)

INSTALLATION

Skirt must be installed after bath is in place **and** before finishing walls. See instructions below.

1. Install the whirlpool bath unit according to included instructions.
2. Install the three panel blocks under the bath lip using the locator fixture provided and Liquid Nail or equivalent (not provided).
 - a. Install one panel block in the center of the bath and the other two 2" [5cm] from either end. Make sure locator fixture is kept level and tight against the bath lip during installation of the panel blocks.
 - b. Each panel block should be held in place with the locator fixture a few moments while the "Liquid Nail" adhesive sets.

FIGURE 1



INSTALLATION INSTRUCTIONS (cont.)

3. Install the lateral bath skirt side pieces on either side of the tub. (See figure 3)

- Use the (6) screws and washers provided to secure the side pieces to the wall. The side pieces must be installed 1/8" [3mm] beyond the tub lip.
- Use level or square and shims as needed to assure the side pieces are vertically plumb and will properly center the skirt panel to the bath and to insure about 1/8" [3mm] clearance between the side pieces and the skirt panel.

FIGURE 2

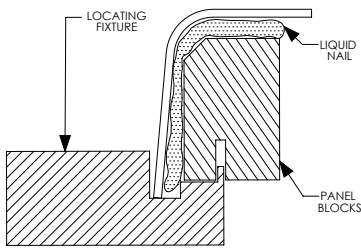


FIGURE 3

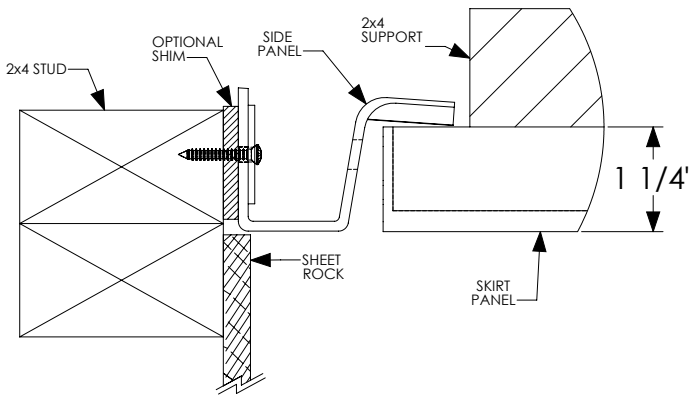


FIGURE 4

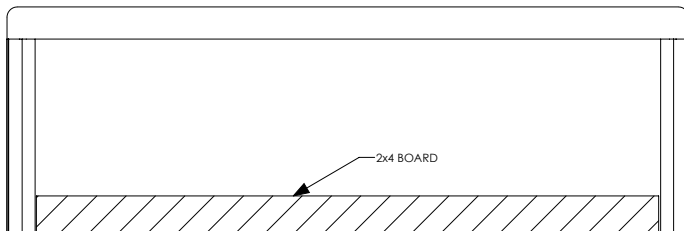


FIGURE 5



4. Prepare a 2" x 4" [5 x 10 cm] board to be secured to the floor between the two side pieces. This will act as both a water barrier to prevent water from migrating under the tub and to support the skirt panel. (See figures 4 and 5)

- Screw the 2" x 4" [5 x 10 cm] board into position to properly engage the skirt panel.
- Install the skirt panel, engaging the panel block under the lip and against the 2" x 4" [5 x 10 cm] board. The skirt panel should be flush with the side pieces. If not, re-position the 2" x 4" [5 x 10 cm] board as needed.

5. The panel should fit with a small 1/8" [3mm] clearance between itself and the side pieces and the tub lip and with a small clearance at the bottom.

- With some thicker type of floor coverings, the skirt panel may have to be trimmed in the field to provide proper bottom fit. If trimming is needed place a strip of masking tape over the cut location.
- Mark the cut line on the masking tape and cut using a fine tooth circular saw.
- The skirt panel is provided with two 3/16" [5mm] holes in the skirt's bottom recessed area and two screws to secure the installed panel in place. Align with the mounting holes in the skirt panel and screw to the 2" x 4" [5 x 10 cm] board. Position the skirt panel in place.
- Drill two 3/32" [2mm] pilot holes into the 2" x 4" [5 x 10 cm] board and secure with the two screws provided.

JASON INTERNATIONAL, INC.

8328 MacArthur Drive • North Little Rock • Arkansas • 72118

www.jasoninternational.com